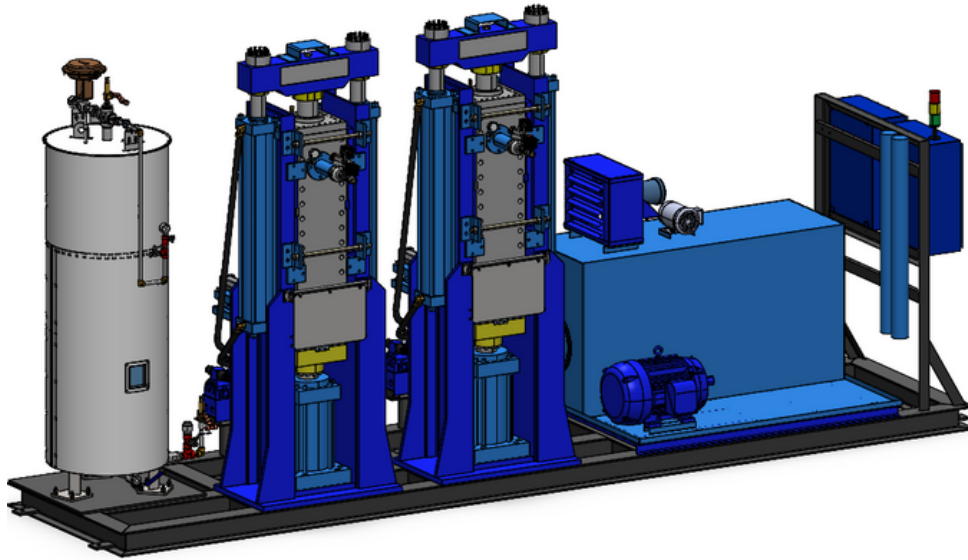


#### Dual Dry Ice Block Press



Produce over 4,000 pounds per hour of high density 55 pound nominal 10" X 10" X 10" block with TOMCO<sub>2</sub> Systems' state-of-the-art, single skid mounted automatic Dry ice Block Press.

#### MAKE MORE - WITH LESS - FASTER

### Benefits

- High density usable ice on first press
- Consistent Density
- Includes liquid CO<sub>2</sub> flash tank
- State-of-the-art PLC Control Systems
- Color touch screen display
- Single skid self-contained complete system
- Consistent or adjustable block weight
- Fully automatic operation
- CO<sub>2</sub> vapor recovery compatible

### Specifications

- Capacity: 4,000 lbs/hr (1,814 kg), 55 lb (24.9 kg) block
- Block Weight: Adjustable 40 to 60 lbs (18.1 to 27.3 kg)
- Block size: 10" x 10" x 10" @ 55 pound (25.4 cm x 25.4 cm x 25.4 cm @ 24.9 kg). Height of block can be adjusted
- Drive Media: 40 HP Hydraulic power unit
- Density: Adjustable
- Size (WxLxH): Overall press skid dimensions 10' x 8' x 10'6" (304.8 cm x 243.84 cm x 323.088 cm) retracted 10' x 8' x 14' (304.8 cm x 243.84 cm x 426.72 cm) extended
- Weight: 22,000 lbs (9,979 kg)
- Electrical Characteristics: 230/460 Volt, 60 Hz, 3 Phase